

BRIEF INTRODUCTION

企业简介



ZHEJIANG MED VALVES CO.,LTD

浙江摩恩达阀门有限公司位于中国沿海发达城市温州，交通便利，水陆空运输十分便捷。同时，这里还有风景秀丽的雁荡山和楠溪江，是旅游度假胜地。

公司专注于各类工业阀门的制造和研发，有两个生产基地(温州和丽水)-28638m²。温州基地主要生产类型有：油田阀、波纹管阀、德标阀系列，丽水生产基地：闸阀、截止阀、球阀、止回阀、蝶阀、过滤器、旋塞阀等。产品标准涉及API、JIS、BS、DIN、NF及GB、JB等，连接形式分各类法兰连接、螺纹连接、对焊连接、承插焊连接、卡箍连接等方式，阀门驱动形式主要有：手轮、齿轮传动、气动、电动、液动、电液联动、气液联动等多种方式。压力等级为CLASS150-2500，口径范围为NPS1/2-NPS42，材料化学成份和机械性能符合ASTM标准，主要有各类铸锻的碳钢、合金钢、不锈钢等材料，年产阀门5000多吨。产品已被广泛应用于石油、化工、冶金、建筑、电站、造船、医药、食品等工业领域。公司已为全国各大型企业及进出口贸易公司配套出口至世界各国和多个地区，得到用户好评。

公司按照ISO9001、API6D的质量管理体系的要求进行管理和操作，注重于产品质量和售后服务管理。公司拥有全套加工设备和质量检测设施。凭借雄厚的技术力量，先进的加工工艺，训练有素的员工队伍保证了产品质量。

公司以：“信誉第一，用户至上，服务周到，质量保证”的原则为新老客户服务，也欢迎各界朋友前来洽谈。

ZHEJIANG MED VALVES CO.,LTD. Is located in Wenzhou, a littoral city in the east of china, with a convenient transportation in road, sea and air. Besides, with beautiful scenery of Yandang Mountain and Nanxi River, Wenzhou also is a scenic spot for tourism and vacation.

Company is specialized in manufacture and research and development of various industrial valves. Have two production bases (Wenzhou and Lishui), occupation of land is28638m². Wenzhou base's main product covers: oil field vave, bellows seal valve and DIN Valve series; Lishui base covers: gate valve, globe valve, ball valve, check valve, butterfly valve, plug valve and strainer. The product applicable standard covers API, JIS, BS, DIN, NF, GB and JB etc.

The valves can be supplied with various connection type to cater with different demands from customers, it covers: Flange ends, threaded ends, butt welded ends, socket welded ends, clip hoop ends, etc. The valve we supplied can be operated by handwheel, gearbox, pneumatic, electric, hydraulic actuator or electric-hydraulic actuator, hydro-pneumatic actuator, etc. The company can produce a wide range pressure rating and size, from class 150 to class 2500, size from 1/2" to 42". Materials are carbon steel, alloy steel, stainless steel, monel, hastelloy steel, etc. Output annually is over 5000 tons. Its products have been widely used in petrochemical, metallurgy, building construction, power station, shipbuilding and other industries. The company also have exported large number of products to many countries and regions and gained high reputation.

The company always strictly comply with the quality management system of ISO9001 and API6D in its dailyoperation, Emphasizing in product quality and after-sale service. Its has a full sets of machining machines and quality control Equipments. Relying on its strong technology, advanced machining workmanship and well-trained workers, its products are always with premium quality.

The company serves new and old customers in a principle of "reputation first, customer foremost, circumspect service, quality guarantee", warmly welcome all circles of friends to visit our company.

ООО «ТИ-СИСТЕМС» ИНЖИНИРИНГ И ПОСТАВКА ТЕХНОЛОГИЧЕСКОГО ОБОРУДОВАНИЯ

Интернет: www.tisys.ru www.tisys.kz www.tisys.by www.tesec.ru www.ти-системс.рф

Телефоны: +7 (495) 7774788, 7489626, (925) 5007155, 54, 65 Эл. почта: info@tisys.ru info@tisys.kz info@tisys.by

QUALITY FIRST SERVICE SINCERELY

质量至上 真诚服务

引领行业 共建未来
Leading industry Construct in the future



球 阀Ball Valve 01-27

美标阀API Valve 28-46

德标阀DIN Valve 47-55

法兰尺寸 Flanged Dimensions 56-62



6D-0967 2733213-2013 ISO9001

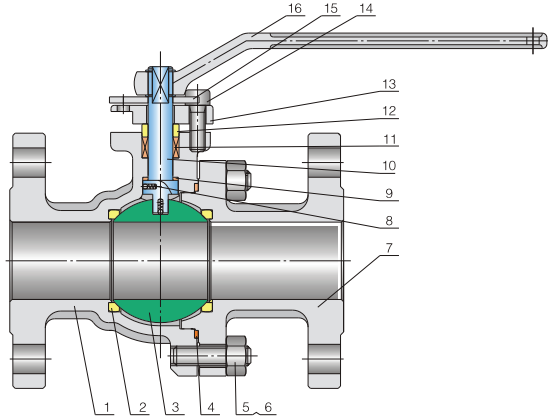
1521

ООО «ТИ-СИСТЕМС» ИНЖИНИРИНГ И ПОСТАВКА ТЕХНОЛОГИЧЕСКОГО ОБОРУДОВАНИЯ

Интернет: www.tisys.ru www.tisys.kz www.tisys.by www.tesec.ru www.ти-системс.рф

Телефоны: +7 (495) 7774788, 7489626, (925) 5007155, 54, 65 Эл. почта: info@tisys.ru info@tisys.kz info@tisys.by

主要结构图 Major Features



主要参数 Main Parameter Specification

设计和制造 Design and Manufacture: API 6D, ASME B16.34, API 608, MSS-SP-72(BS5351)

结构长度尺寸 End to End Dimension: API 6D, ASME B16.10

法兰连接尺寸 Flange Connection Dimension: ASME B16.5

对焊端尺寸 BW Connection Dimension: ASME B16.25

检查和试验 Test and Inspection: API 6D, API 598

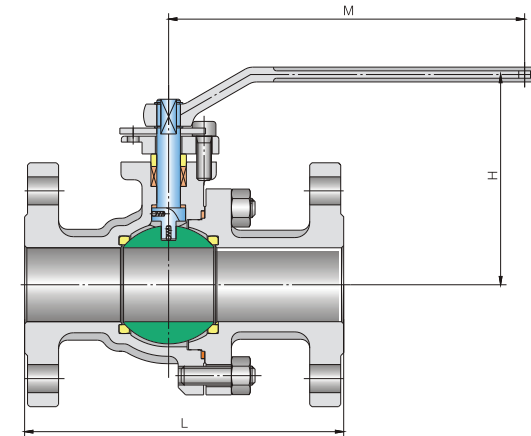
防火设计 Fire-safe Design: API 607/6Fa

防静电设计和防爆阀杆 Anti-static Design & Anti Blow-out Stem

主要材料 Main Material

序号 No.	名称 Part Name	材料 Material
1	左阀体 Left Body	A216-WCB, WCC, A352-LCB, LCC, A351-CF8, CF8M, CF3, CF3M, CN7M, CF8C, CD4MCu, CN-3MN
2	阀座 Seat	PTFE, RPTFE, PEEK, PPLL, POM, KARBATE, NYLON, MOLON, DEVLON
3	球 Ball	A105+ENP, A350 LF2+ENP, A182 F6, F304, F304L, F316, F316L, F51, F53, ALLOY-20, SS321
4	垫片 Gasket	Flexible Graphite+304, Flexible Graphite+316, PTFE
5	螺栓 Bolt	A194-2H, 2MH, 8, 8M
6	螺母 Nut	A193-B7, B7M, B8, B8M
7	右阀体 Right Body	A216-WCB, WCC, A352-LCB, LCC, A351-CF8, CF8M, CF3, CF3M, CN7M, CF8C, CD4MCu, CN-3MN
8	小弹簧 Small Spring	SS304, SS316
9	止推垫片 Thrust Washer	PTFE, RPTFE, Stainless Steel+N
10	阀杆 Stem	A276-T410, 304, 304L, 316, 316L, 321, ALLOY-20, 1045+ENP, A182-F51, F53, 4140+ENP, 17-4PH
11	填料 Packing	Flexible Graphite, PTFE
12	填料压套 Gland	A276-304, 304L, 316, 316L, 321, ALLOY-20, A182-F51, F53
13	填料压盖 Gland Flange	A216-WCB, A351-CF8
14	螺钉 Screw	A193-B7, B8
15	定位板 Limited Plate	1025, Stainless Steel
16	手柄 Wrench	A216-WCB

结构形式及尺寸表 Construction and Dimension



Class 150Lb

Size (in)	L			H≈	M≈	W≈
	RF	RTJ	BW			
1/2 x 3/8	108	-	140	79	140	2.5
1/2	108	-	140	79	140	2.5
3/4 x 1/2	117	-	152	79	140	3
3/4	117	-	152	96	160	3
1 x 3/4	127	140	165	96	160	4.5
1 x 1/2	127	140	165	79	140	3.2
1	127	140	165	96	160	4.5
1 1/4	140	152	178	102	180	5.2
1 1/2 x 1	165	178	191	96	160	5.5
1 1/2 x 1 1/4	165	178	191	102	180	5.5
1 1/2	165	178	191	118	200	6.5
2 x 1 1/4	178	191	216	102	180	5.7
2 x 1 1/2	178	191	216	118	200	6
2	178	191	216	147	250	9
2 1/2	191	203	241	152	300	14
3 x 2	203	216	283	147	250	14
3 x 2 1/2	203	216	283	152	300	16
3	203	216	283	153	350	19
4 x 2 1/2	229	241	305	152	300	23
4 x 3	229	241	305	153	350	26
4	229	241	305	204	400	32
6 x 3	267	279	403	153	350	32

Size (in)	L			H≈	M≈	W≈
	RF	RTJ	BW			
6 x 4	267	279	403	204	400	57
6	394	406	457	342	750	67
8 x 4	292	305	419	204	400	65
8 x 6	292	305	419	342	750	75
8	457	470	521	456	300*	130
10 x 6	330	343	457	342	750	-
10 x 8	330	343	457	456	300*	145
10	533	546	559	511	400*	250
12 x 10	610	622	635	511	400*	290
14 x 10	686	699	762	511	400*	320
16 x 10	762	775	838	511	400*	360
12	610	622	635	517	600*	470
14 x 12	686	699	762	517	600*	490
16 x 12	762	775	838	517	600*	520
18 x 12	864	876	914	517	600*	535
14	686	699	762	569	800*	500
16 x 14	762	775	838	569	800*	541
18 x 14	864	876	914	569	800*	589
20 x 14	914	927	991	569	800*	620
16	762	775	838	680	800*	810
18 x 16	864	876	914	680	800*	850
18	864	876	914	692	800*	920

◎规则孔 Regular bore; ⊙缩孔 Reduce bore; ※齿轮箱操作。※ Gear operation.

■W 指RF法兰面球阀重量 The W in the table means weight of flanged end ball valve.

结构形式及尺寸表 Construction and Dimension

Size (in)	L			H≈	M≈	W≈
	RF	RTJ	BW			
1/2 × 3/8	140	151	140	79	140	3
1/2	140	151	140	79	140	3.5
3/4 × 1/2	152	165	152	79	140	4
3/4	152	165	152	90	160	4
1 × 3/4	165	178	165	90	160	4.5
1 × 1/2	165	178	165	79	140	3.2
1	165	178	165	94	160	5
1 1/4	178	191	178	102	160	8
1 1/2 × 1	191	203	191	94	160	5.5
1 1/2 × 1 1/4	191	203	191	102	160	5.5
1 1/2	191	203	191	120	200	11
2 × 1 1/4	216	232	216	102	160	5.7
2 × 1 1/2	216	232	216	120	200	6
2	216	232	216	142	250	13
2 1/2	241	257	241	158	300	25
3 × 2	283	298	283	147	250	14
3 × 2 1/2	283	298	283	158	300	28
3	283	298	283	170	350	30
4 × 2 1/2	305	321	305	158	300	33
4 × 3	305	321	305	170	350	38
4	305	321	305	210	400	45
6 × 3	403	419	403	170	350	48

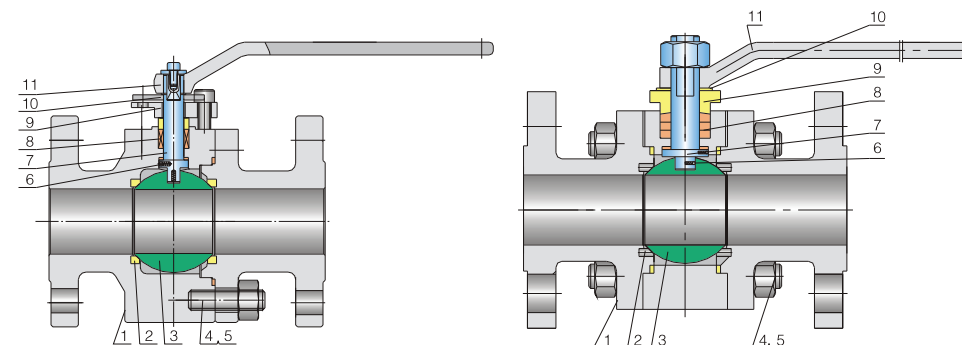
Size (in)	L			H≈	M≈	W≈
	RF	RTJ	BW			
1/2 × 3/8	165	163	165	85	160	4
1/2	165	163	165	85	160	4.5
3/4 × 1/2	191	191	191	85	160	6
3/4	191	191	191	93	200	7
1 × 3/4	216	216	216	93	200	8
1 × 1/2	216	216	216	85	160	6.6
1	216	216	216	99	200	10
1 1/4	229	229	229	100	200	15
1 1/2 × 1	241	241	241	99	200	13
1 1/2 × 1 1/4	241	241	241	100	200	17
1 1/2	241	241	241	117	200	20

◎规则孔 Regular bore; ⊙缩孔 Reduce bore; ※齿轮箱操作。※ Gear operation.
■W 指RF法兰面球阀重量 The W in the table means weight of flanged end ball valve.

Size (in)	L			H≈	M≈	W≈
	RF	RTJ	BW			
6 × 4	403	419	403	210	400	57
6	403	419	457	366	800	90
8 × 4	419	435	419	210	400	75
8 × 6	419	435	419	366	800	100
8	502	518	521	440	400※	201
10 × 6	568	584	457	440	400※	222
10 × 8	648	664	457	440	400※	252
10	568	584	559	525	700※	350
12 × 10	648	664	635	525	700※	381
14 × 10	762	778	762	525	700※	420
16 × 10	838	854	838	525	700※	461
12	648	664	635	590	800※	539
14 × 12	762	778	762	590	800※	567
16 × 12	838	854	838	590	800※	612
18 × 12	914	930	914	590	800※	650
14	762	778	762	649	800※	838
16 × 14	838	854	838	649	800※	878
18 × 14	914	930	914	649	800※	920
20 × 14	991	1010	991	649	800※	1002
16	838	854	838	683	800※	1167
18 × 16	914	930	914	683	800※	1257
18	914	930	914	729	900※	1526

Size (in)	L			H≈	M≈	W≈
	RF	RTJ	BW			
2 × 1 1/4	292	295	292	100	200	21
2 × 1 1/2	292	295	292	117	200	28
2	292	295	292	180	350	27
2 1/2	330	333	330	210	400	45
3 × 2	356	359	356	180	350	33
3 × 2 1/2	356	359	356	210	400	51
3	356	359	356	244	700	56
4 × 2 1/2	432	435	432	210	400	58
4 × 3	432	435	432	244	700	63
4	432	435	432	265	800	95

主要结构图形 Major Features



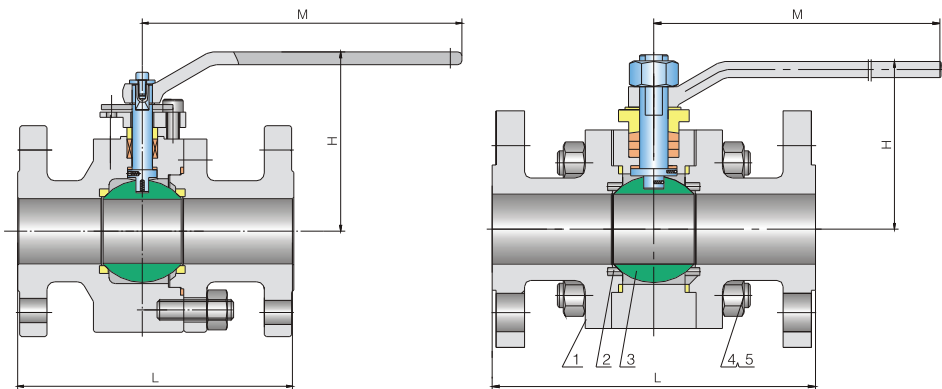
主要参数 Main Parameter Specification

设计和制造 Design and Manufacture: API 6D、ASME B16.34(BS5351)、API 608、MSS-SP-72
 结构长度尺寸 End to End Dimension: API 6D、ASME B16.10
 法兰连接尺寸 Flange Connection Dimension: ASME B16.5
 对焊端尺寸 BW Connection Dimension: ASME B16.25
 检查和试验 Test and Inspection: API 6D、API 598
 防火设计 Fire-safe Design: API 607/6Fa
 防静电设计和防爆阀杆 Anti-static Design & Anti Blow-out Stem

主要材料 Main Material

序号 No.	名称 Part Name	材料 Material
1	阀体 Body	A105, A350-LF2, A182-F304, F304L, F316, F316L, F51, F53
2	阀座 Seat	PTFE, RPTFE, PPL, PEEK, NYLON
3	球 Ball	A105+ENP, A351 LF2, F6, F304, F316, F51, F53
4	螺栓 Stud	ASTM A193 B7, B8
5	螺母 Nut	ASTM A194 2H, 8
6	弹簧 Spring	SS304, SS316
7	阀杆 Stem	1045+ENP, ASTM A182 F6, F304, F316, F51, F53
8	填料 Packing	Flexible Graphite, PTFE
9	压板 Gland	ASTM A216 WCB, ASTM A351 CF8
10	限位件 Limited Plate	1025, Stainless Steel
11	手柄 Wrench	ASTM A216 WCB

结构形式及尺寸表 Construction and Dimension



Class 150Lb

Size (in)	L			H≈	M≈	W≈ (kg)
	RF	RTJ	BW			
1/2 × 3/8 ⊙	108	-	140	79	140	3.0
1/2	108	-	140	79	140	3.0
3/4 × 1/2 ⊙	117	-	152	79	140	3.6
3/4	117	-	152	96	160	3.6
1 × 3/4 ⊙	127	140	165	96	160	5.4
1 × 1/2 ⊙	127	140	165	79	140	4.0
1	127	140	165	96	160	5.4
1 1/4	140	152	178	102	180	6.8
1 1/2 × 1 ⊙	165	178	191	96	160	7.0
1 1/2 × 1 1/4 ⊙	165	178	191	102	180	7.0
1 1/2	165	178	191	118	200	8.5
2 × 1 1/4 ⊙	178	191	216	102	180	9.0
2 × 1 1/2 ⊙	178	191	216	118	200	10.5
2	178	191	216	147	250	12
2 1/2	191	203	241	152	300	17

⊙规则孔 Regular bore; ⊙缩孔 Reduce bore; ※齿轮箱操作。※ Gear operation.
■W 指RF法兰面球阀重量 The W in the table means weight of therefore end ball valve.

结构形式及尺寸表 Construction and Dimension
Class 300Lb

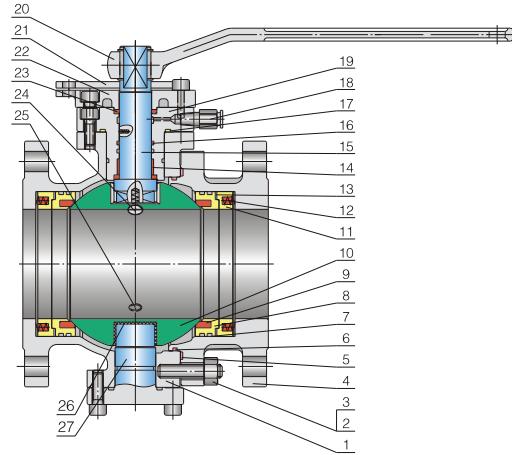
Size (in)	L			H≈	M≈	W≈ (kg)
	RF	RTJ	BW			
1/2 × 3/8 ⊙	140	151	140	79	140	3.6
1/2	140	151	140	79	140	4.2
3/4 × 1/2 ⊙	152	165	152	79	140	5
3/4	152	165	152	96	160	5
1 × 3/4 ⊙	165	178	165	96	160	5.5
1 × 1/2 ⊙	165	178	165	79	140	4
1	165	178	165	100	160	6
1 1/4	178	191	178	102	200	10
1 1/2 × 1 ⊙	191	203	191	100	160	6.6
1 1/2 × 1 1/4 ⊙	191	203	191	102	200	6.6
1 1/2	191	203	191	120	200	3
2 × 1 1/4 ⊙	216	232	216	102	200	6.8
2 × 1 1/2 ⊙	216	232	216	120	200	7.5
2	216	232	216	147	250	15.5
2 1/2	241	257	241	152	300	30
3 × 2	283	298	283	147	250	17
3 × 2 1/2 ⊙	283	298	283	152	300	34
3	283	298	283	163	350	36
4 × 2 1/2 ⊙	305	321	305	152	300	40
4 × 3 ⊙	305	321	305	163	350	46
4	305	321	305	210	400	54
6 × 3 ⊙	403	419	403	163	350	58
6 × 4 ⊙	403	419	403	210	400	68
6	403	419	403	366	800	108
8 × 4 ⊙	502	518	521	210	400	90
8 × 6 ⊙	502	518	521	366	800	120
8	502	518	521	440	400	242

⊙规则孔 Regular bore; ⊙缩孔 Reduce bore; ※齿轮箱操作。※ Gear operation.
■W 指RF法兰面球阀重量 The W in the table means weight of therefore end ball valve.

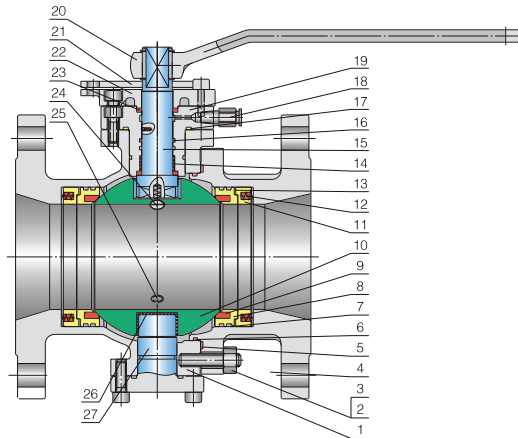
Class 600Lb

Size (in)	L			H≈	M≈	W≈ (kg)
	RF	RTJ	BW			
1/2 × 3/8 ⊙	165	163	165	85	160	4.8
1/2	165	163	165	85	160	5.5
3/4 × 1/2 ⊙	191	191	191	85	160	7.5
3/4	191	191	191	93	200	8.5
1 × 3/4 ⊙	216	216	216	93	200	9.5
1 × 1/2 ⊙	216	216	216	85	160	8
1	216	216	216	99	200	12
1 1/4	229	229	229	100	200	18
1 1/2 × 1 ⊙	241	241	241	99	200	15.5
1 1/2 × 1 1/4 ⊙	241	241	241	100	200	20.5
1 1/2	241	241	241	117	200	24
2 × 1 1/4 ⊙	292	295	292	100	200	25
2 × 1 1/2 ⊙	292	295	292	117	200	33.5
2	292	295	292	180	350	32.5
2 1/2	330	333	330	210	400	54
3 × 2	356	359	356	180	350	40
3 × 2 1/2 ⊙	356	359	356	210	400	61
3	356	359	356	244	700	67
4 × 2 1/2 ⊙	432	435	432	210	400	70
4 × 3 ⊙	432	435	432	244	700	75.5
4	432	435	432	265	800	114

主要结构图形 Major Features



二片式固定铸钢球阀 2PC Trunnion Cast Ball Valve



二片式缩口固定球阀 2PC Reduced Port Trunnion Ball Valve

主要参数 Main Parameter Specification

设计和制造 Design and Manufacture: API 6D、ASME B16.34(BS5351)、API 608、MSS-SP-72

结构长度尺寸 End to End Dimension: API 6D、ASME B16.10

法兰连接尺寸 Flange Connection Dimension: ASME B16.5

对焊端尺寸 BW Connection Dimension: ASME B16.25

检查和试验 Test and Inspection: API 6D、API 598

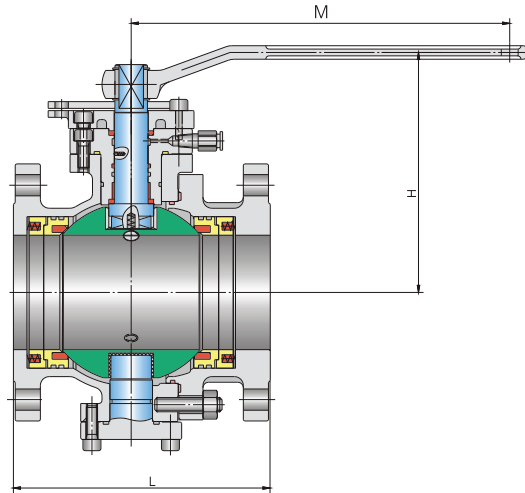
防火设计 Fire-safe Design: API 607/6Fa

防静电设计和防爆阀杆 Anti-static Design & Anti Blow-out Stem

主要材料 Main Material

序号 No.	名称 Part Name	材料 Material
1	左阀体 Left Body	A216-WCB、WCC, A352-LCB, A351-CF8、CF8M、CF3、CF3M、CN7M、CF8C、CD4MCu、CN-3MN
2	螺母 Nut	A194-2H、2HM、8、8M
3	螺栓 Bolt	A193-B7、B7M、B8、B8M
4	右阀体 Right Body	A216-WCB、WCC, A352-LCB, A351-CF8、CF8M、CF3、CF3M、CN7M、CF8C、CD4MCu、CN-3MN
5	垫片 Gasket	SS304、SS316+Flexible Graphite Spiral Wound
6	O型圈 O-Ring	NBR、VITON
7	O型圈 O-Ring	NBR、VITON
8	阀座圈 Seat Ring	A105+ENP, A182-F6、F304、F304L、F316、F316L、F321、F51、F53, ALLOY-20
9	阀座 Seat	PTFE、RPTFE、NYLON、PEEK、PPL、POM、KARBATE、MOLON、DEVLON
10	球 Ball	A105+ENP, A182-F6、F304、F304L、F316、F316L、F321、F51、F53, ALLOY-20
11	压环 Compression ring	A105、F304、F316、F6、F321、F51、F53
12	弹簧 Spring	SS304, Inconel、1566+ENP
13	密封圈 Sealing Ring	Flexible Graphite
14	复合轴承 Bearing	1045+RPTFE、SS304+RPTFE、SS316+RPTFE
15	阀杆 Stem	A1045+ENP, A182-F6、F304、F304L、F316、F316L、F321、F51、F53, ALLOY-20、4140+ENP、17-4PH
16	O型圈 O-Ring	NBR、VITON
17	密封圈 Sealing Ring	SS304、SS316+Flexible Graphite Spiral Wound
18	注油阀 Oil Cup	1025、SS304
19	连接盘 Connecting Plate	1025、A216-WCB、A351 CF8
20	手柄 Lever	A216-WCB+1020
21	定位板 Limited Plated	1035、Stainless Steel
22	压板 Gland flanged	A105+ENP, A182-F6、F304、F304L、F316、F316L、F321、F51、F53, ALLOY-20
23	填料 Packing	Flexible Graphite
24、25	丝堵和放泄阀 Drain Valve and Plug	A1025, SS304、SS304L、SS316、SS316L、SS321、ALLOY-20、F51、F53
26	垫圈 Adjusting Ring	PTFE、1045+RTPFE、Stainless Steel+RTPFE
27	固定轴 Trunnion	A1045+ENP, A182-F6、F304、F304L、F316、F316L、F321、F51、F53, ALLOY-20、4140+ENP、17-4PH

结构形式及尺寸表 Construction and Dimension



Size (in)	L			H≈	H1≈	M≈	W≈
	RF	RTJ	BW				
2	178	191	216	168	83	250	10
3 × 2 ⊕	203	216	283	168	83	250	11.7
2 1/2	191	203	241	175	102	300	14
3 × 2 1/2 ⊕	203	216	283	175	102	300	15
4 × 2 1/2 ⊕	229	241	305	175	102	300	16.7
3	203	216	283	186	117	350	22
4 × 3 ⊕	229	241	305	186	117	350	25
6 × 3 ⊕	394	406	457	186	117	350	31.3
4	229	241	305	225	141	450	35
6 × 4 ⊕	394	406	457	225	141	450	42.5
8 × 4 ⊕	457	470	521	225	141	450	51.5

⊕规则孔 Regular bore; ⊙缩孔 Reduce bore
■W 指RF法兰面球阀重量 The W in the table means weight of flanged end ball valve.

Size (in)	L			H≈	H1≈	M≈	W≈
	RF	RTJ	BW				
2	216	232	216	168	95	250	15
3 × 2 ⊕	283	298	283	168	95	250	20
2 1/2	241	257	241	175	107	300	24
3 × 2 1/2 ⊕	283	298	283	175	107	300	28
4 × 2 1/2 ⊕	305	321	305	175	107	300	34
3	283	298	283	186	122	350	30
4 × 3 ⊕	305	321	305	186	122	350	44
6 × 3 ⊕	403	419	457	186	122	350	52
4	305	321	305	225	148	450	55
6 × 4 ⊕	403	419	457	225	148	450	65
8 × 4 ⊕	502	518	521	225	148	450	82

结构形式及尺寸表 Construction and Dimension Class 600Lb mm

Size (in)	L			H≈	H1≈	M≈	W≈
	RF	RTJ	BW				
2	292	295	292	195	100	500	33
3 × 2 ⊕	356	359	356	195	100	500	37
2 1/2	330	333	330	220	115	600	47
3 × 2 1/2 ⊕	356	359	356	220	115	600	48.8
4 × 2 1/2 ⊕	432	435	432	220	115	600	57.5
3	356	359	356	247	126	700	58
4 × 3 ⊕	432	435	432	247	126	700	72
6 × 3 ⊕	559	562	559	247	126	700	97.8
4	432	435	432	275	154	900	83
6 × 4 ⊕	559	562	559	275	154	900	102.8
8 × 4 ⊕	660	664	660	275	154	900	109.6

⊕规则孔 Regular bore; ⊙缩孔 Reduce bore
■W 指RF法兰面球阀重量 The W in the table means weight of flanged end ball valve.

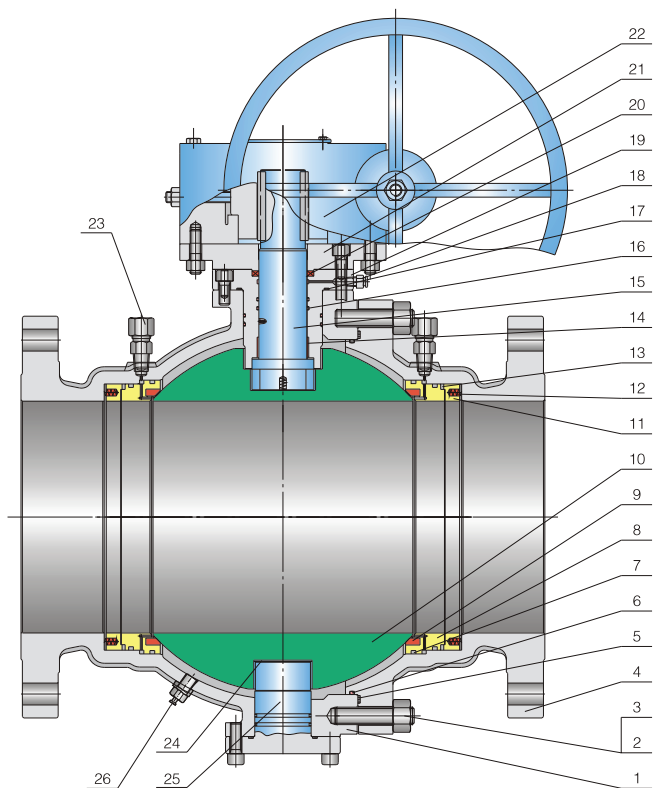
Size (in)	L			H≈	H1≈	M≈	W≈
	RF	RTJ	BW				
2	368	371	368	217	118.5	500	39
3 × 2 ⊕	381	384	381	217	118.5	500	44
2 1/2	419	422	419	241	133	600	55
3 × 2 1/2 ⊕	381	384	381	241	133	600	58
4 × 2 1/2 ⊕	457	460	457	241	133	600	62.1
3	381	384	381	259	141	900	68
4 × 3 ⊕	457	460	457	259	141	900	82
6 × 3 ⊕	610	613	610	259	141	900	106.1
4	457	460	457	297	167	1000	98
6 × 4 ⊕	610	613	610	297	167	1000	127
8 × 4 ⊕	737	740	737	297	167	1000	171.1

Size (in)	L			H≈	H1≈	M≈	W≈
	RF	RTJ	BW				
2	368	371	368	237	122	800	40
3 × 2 ⊕	470	473	470	237	122	800	50
2 1/2	419	422	419	261	148	900	64
3 × 2 1/2 ⊕	470	473	470	261	148	900	70
4 × 2 1/2 ⊕	546	549	546	261	148	900	86
3	470	473	470	269	163	1000	95
4 × 3 ⊕	546	549	546	269	163	1000	108
6 × 3 ⊕	705	711	705	269	163	1000	160
4	546	549	546	297	173	-	180
6 × 4 ⊕	705	711	705	297	173	-	225
8 × 4 ⊕	832	841	832	297	173	-	297

⊕规则孔 Regular bore; ⊙缩孔 Reduce bore
■W 指RF法兰面球阀重量 The W in the table means weight of flanged end ball valve.

Size (in)	L			H≈	H1≈	M≈	W≈
	RF	RTJ	BW				
2	451	454	451	240	129	1000	75
3 × 2 ⊕	578	584	578	240	129	1000	102
2 1/2	508	514	508	270	135	1000	110
3 × 2 1/2 ⊕	578	584	578	270	135	1000	173
4 × 2 1/2 ⊕	673	683	673	270	135	1000	180
3	578	584	578	300	159	1000	201
4 × 3 ⊕	673	683	673	300	159	1000	230
6 × 3 ⊕	914	927	914	300	159	1000	340
4	673	683	673	350	204	-	303
6 × 4 ⊕	914	927	914	350	204	-	413
8 × 4 ⊕	1022	1038	1022	350	204	-	524

主要结构图形 Major Features



主要参数 Main Parameter Specification

设计和制造 Design and Manufacture: API 6D, ASME B16.34(BS5351), API 608, MSS-SP-72

结构长度尺寸 End to End Dimension: API 6D, ASME B16.10

法兰连接尺寸 Flange Connection Dimension: ASME B16.5, NPS ≥ 26" Per as ASME B16.47

对焊端尺寸 BW Connection Dimension: ASME B16.25

检查和试验 Test and Inspection: API 6D, API 598

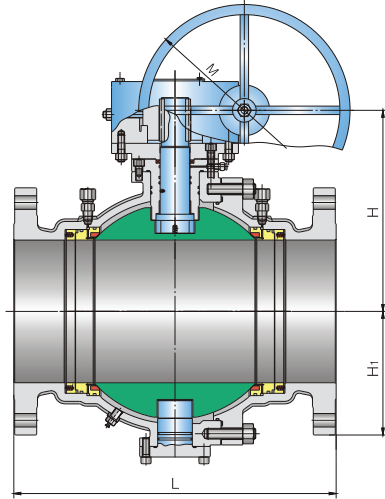
防火设计 Fire-safe Design: API 607/6FA

防静电设计和防爆阀杆 Anti-static Design & Anti Blow-out Stem

主要材料 Main Material

序号 No.	名称 Part Name	材料 Material
1	左阀体 Left Body	A216-WCB, WCC, A352-LCB, A351-CF8, CF8M, CF3, CF3M, CN7M, CF8C, CD4MCu, CN-3MN
2	螺母 Nut	A194-2H, 2HM, 8, 8M
3	螺栓 Bolt	A193-B7, B7M, B8, B8M
4	右阀体 Right Body	A216-WCB, WCC, A352-LCB, A351-CF8, CF8M, CF3, CF3M, CN7M, CF8C, CD4MCu, CN-3MN
5	垫片 Gasket	SS304, SS316+Flexible Graphite Spiral Wound
6	O型圈 O-Ring	NBR, VITON
7	O型圈 O-Ring	VITON
8	阀座圈 Seat Ring	A105+ENP, A182-F6, F304, F304L, F316, F316L, F321, F51, F53, ALLOY-20
9	阀座 Seat	PTFE, RPTFE, NYLON, PEEK, PPL, POM, KARBATE, MOLON, DEVLON
10	球 Ball	A105+ENP, A182-F6, F304, F304L, F316, F316L, F321, F51, F53, ALLOY-20
11	压环 Compression ring	A105, F304, F316, F6, F321, F51, F53
12	弹簧 Spring	SS304, Inconel, 1566+ENP
13	密封圈 Sealing Ring	Flexible Graphite
14	复合轴承 Bearing	1045+RPTFE, SS304+RPTFE, SS316+RPTFE
15	阀杆 Stem	1045+ENP, A182-F6, F304, F304L, F316, F316L, F321, F51, F53, ALLOY-20, 4140+ENP, 17-4PH
16	O型圈 O-Ring	VITON
17	密封圈 Sealing Ring	SS304, SS316+Flexible Graphite Spiral Wound
18	注油阀 Oil Cup	1025, SS304
19	填料箱 Stuffing Box	A105+ENP, A182-F6, F304, F304L, F316, F316L, F321, F51, F53, ALLOY-20
20	填料 Packing	Flexible Graphite
21	连接盘 Connecting Plate	1025, A216-WCB, A351 CF8
22	齿轮 Gear	
23	注脂阀 Grease fitting	1025, SS304, SS316, F51, F53
24	垫圈 Adjusting Ring	PTFE, 1045+RTPFE, Stainless Steel+RTPFE
25	固定轴 Trunnion	1045+ENP, A182-F6, F304, F304L, F316, F316L, F321, F51, F53, ALLOY-20, 4140+ENP, 17-4PH
26	丝堵和放泄阀 Drain Valve and Plug	1025, SS304, SS316, F51, F53, ALLOY-20

结构形式及尺寸表 Construction and Dimension



Size (in)	L			H≈	H1≈	M≈	W≈
	RF	RTJ	BW				
6	394	406	457	280	193	300	74
8 × 6 ⊙	457	470	521	280	193	300	83
10 × 6 ⊙	533	546	559	280	193	300	95.2
8	457	470	521	345	217	300	111
10 × 8 ⊙	533	546	559	345	217	300	123.4
12 × 8 ⊙	610	622	635	345	217	300	142
10	533	546	559	395	270	300	217
12 × 10 ⊙	610	622	635	395	270	300	235
14 × 10 ⊙	686	699	762	395	270	300	253
16 × 10 ⊙	762	775	838	395	270	300	277
12	610	622	635	527	323	300	385
14 × 12 ⊙	686	699	762	527	323	300	402
16 × 12 ⊙	762	775	838	527	323	300	426
18 × 12 ⊙	864	876	914	527	323	300	450
14	686	699	762	570	355	400	457
16 × 14 ⊙	762	775	838	570	355	400	481
18 × 14 ⊙	864	876	914	570	355	400	505
20 × 14 ⊙	914	927	991	570	355	400	536
16	762	775	838	498	398	450	723
18 × 16 ⊙	864	876	914	498	398	450	765
20 × 16 ⊙	914	927	991	498	398	450	832

Size (in)	L			H≈	H1≈	M≈	W≈
	RF	RTJ	BW				
6	403	419	403	285	201	300	90
8 × 6 ⊙	502	518	502	285	201	300	107
10 × 6 ⊙	568	584	568	285	201	300	127
8	502	518	502	345	232	400	201
10 × 8 ⊙	568	584	568	345	232	400	222
12 × 8 ⊙	648	664	648	345	232	400	252
10	568	584	568	451	283	400	350
12 × 10 ⊙	648	664	648	451	283	400	381
14 × 10 ⊙	762	778	762	451	283	400	420
16 × 10 ⊙	838	854	838	451	283	400	461
12	648	664	648	570	335	400	510
14 × 12 ⊙	762	778	762	570	335	400	547
16 × 12 ⊙	838	854	838	570	335	400	592
18 × 12 ⊙	914	930	914	570	335	400	638
14	762	778	762	600	360	450	720
16 × 14 ⊙	838	854	838	600	360	450	760
18 × 14 ⊙	914	930	914	600	360	450	808
20 × 14 ⊙	991	1010	991	600	360	450	884
16	838	854	838	638	398	500	1167
18 × 16 ⊙	914	930	914	638	398	500	1257
20 × 16 ⊙	991	1010	991	638	398	500	1365

⊙规则孔 Regular bore; ⊙缩孔 Reduce bore
 ■W 指RF法兰球阀重量 The W in the table means weight of flanged end ball valve.

结构形式及尺寸表 Construction and Dimension

Size (in)	L			H≈	H1≈	M≈	W≈
	RF	RTJ	BW				
6	559	562	559	305	198	300	174
8 × 6 ⊙	660	664	660	305	198	300	198
10 × 6 ⊙	787	791	787	305	198	300	244
8	660	664	660	365	252	3400	339
10 × 8 ⊙	787	791	787	365	252	3400	386
12 × 8 ⊙	838	841	838	365	252	3400	420
10	787	791	787	484	299	450	515
12 × 10 ⊙	838	841	838	484	299	450	545
14 × 10 ⊙	889	892	889	484	299	450	576
16 × 10 ⊙	991	994	991	484	299	450	648
12	838	841	838	580	343	500	960
14 × 12 ⊙	889	892	889	580	343	500	992
16 × 12 ⊙	991	994	991	580	343	500	1072
18 × 12 ⊙	1092	1095	1092	580	343	500	1142
14	889	892	889	608	377	500	1250
16 × 14 ⊙	991	994	991	608	377	500	1328
18 × 14 ⊙	1092	1095	1092	608	377	500	1405
20 × 14 ⊙	1194	1200	1194	608	377	500	1513
16	991	994	991	663	416	500	1415
18 × 16 ⊙	1092	1095	1092	663	416	500	1615
20 × 16 ⊙	1194	1200	1194	663	416	500	1692

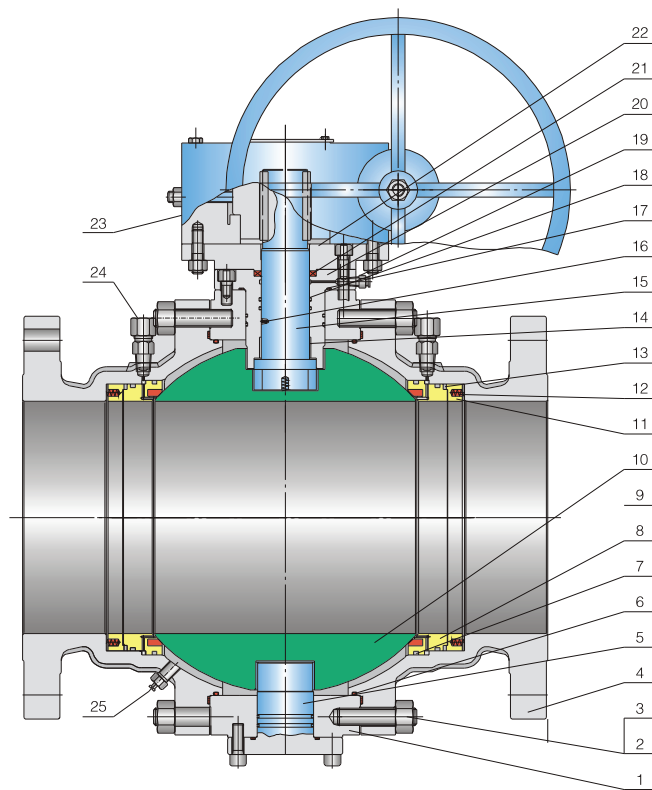
Size (in)	L			H≈	H1≈	M≈	W≈
	RF	RTJ	BW				
6	705	711	705	365	211	400	380
8 × 6 ⊙	832	841	832	365	211	400	485
10 × 6 ⊙	991	1000	991	365	211	400	635
8	832	841	832	475	274	450	750
10 × 8 ⊙	991	1000	991	475	274	450	956
12 × 8 ⊙	1130	1146	1130	475	274	450	1056
10	991	1000	991	578	310	500	1165
12 × 10 ⊙	1130	1146	1130	578	310	500	1267
14 × 10 ⊙	1257	1276	1257	578	310	500	1465
16 × 10 ⊙	1384	1407	1384	578	310	500	1592
12	1130	1146	1130	696	485	500	1625
14 × 12 ⊙	1257	1276	1257	696	485	500	1825
16 × 12 ⊙	1384	1407	1384	696	485	500	1900
14	1257	1276	1257	761	510	550	1980
16 × 14 ⊙	1384	1407	1384	761	510	550	2280

⊙规则孔 Regular bore; ⊙缩孔 Reduce bore
 ■W 指RF法兰球阀重量 The W in the table means weight of flanged end ball valve.

Size (in)	L			H≈	H1≈	M≈	W≈
	RF	RTJ	BW				
6	610	613	610	360	250	400	220
8 × 6 ⊙	737	740	737	360	250	400	263
10 × 6 ⊙	838	841	838	360	250	400	316
8	737	740	737	394	280	450	500
10 × 8 ⊙	838	841	838	394	280	450	551
12 × 8 ⊙	965	968	965	394	280	450	620
10	838	841	838	502	325	500	942
12 × 10 ⊙	965	968	965	502	325	500	1010
14 × 10 ⊙	1029	1038	1029	502	325	500	1054
16 × 10 ⊙	1130	1140	1130	502	325	500	1143
12	965	968	965	592	380	500	1200
14 × 12 ⊙	1029	1038	1029	592	380	500	1310
16 × 12 ⊙	1130	1140	1130	592	380	500	1420
18 × 12 ⊙	1219	1232	1219	592	380	500	1550
14	1029	1038	1029	675	395	550	1655
16 × 14 ⊙	1130	1140	1130	675	395	550	1855
18 × 14 ⊙	1219	1232	1219	675	395	550	—
20 × 14 ⊙	1321	1334	1321	675	395	550	—
16	1130	1140	1130	762	426	550	1903
18 × 16 ⊙	1219	1232	1219	762	426	550	2030
20 × 16 ⊙	1321	1334	1321	762	426	550	2374

Size (in)	L			H≈	H1≈	M≈	W≈
	RF	RTJ	BW				
6	914	927	914	385	250	450	745
8 × 6 ⊙	1022	1038	1022	385	250	450	935
10 × 6 ⊙	1270	1292	1270	385	250	450	1080
8	1022	1038	1022	502	340	500	1202
10 × 8 ⊙	1270	1292	1270	502	340	500	1450
12 × 8 ⊙	1422	1445	1422	502	340	500	1869
10	1270	1292	1270	600	411	500	2080
12 × 10 ⊙	1422	1445	1422	600	411	500	2287
12	1422	1445	1422	715	498	550	3080

主要结构图形 Major Features



主要参数 Main Parameter Specification

设计和制造 Design and Manufacture: API 6D、ASME B16.34(BS5351)、API 608、MSS-SP-72

结构长度尺寸 End to End Dimension: API 6D、ASME B16.10

法兰连接尺寸 Flange Connection Dimension: ASME B16.5、NPS \geq 26" Per as ASME B16.47

对焊端尺寸 BW Connection Dimension: ASME B16.25

检查和试验 Test and Inspection: API 6D、API 598

防火设计 Fire-safe Design: API 607/6Fa

防静电设计和防爆阀杆 Anti-static Design & Anti Blow-out Stem

主要材料 Main Material

序号 No.	名称 Part Name	材料 Material
1	阀体 Body	A216-WCB、WCC, A352-LCB, A351-CF8、CF8M、CF3、CF3M、CN7M、CF8C、CD4MCu、CN-3MN
2	螺母 Nut	A194-2H、2HM、8、8M
3	螺柱 Bolt	A193-B7、B7M、B8、B8M
4	连接体 Adapter	A216-WCB、WCC, A352-LCB, A351-CF8、CF8M、CF3、CF3M、CN7M、CF8C、CD4MCu、CN-3MN
5	固定轴 Trunnion	1045+ENP, A182-F6、F304、F304L、F316、F316L、F321、F51、F53, ALLOY-20, 4140+ENP, 17-4PH
6	O型圈 O-Ring	NBR、VITON
7	O型圈 O-Ring	NBR、VITON
8	阀座圈 Seat Ring	A105+ENP, A182-F6、F304、F304L、F316、F316L、F321、F51、F53, ALLOY-20
9	阀座 Seat	PTFE、RPTFE、NYLON、PEEK、PPL、POM、KARBATE、MOLON、DEVLON
10	球 Ball	A105+ENP, A182-F6、F304、F304L、F316、F316L、F321、F51、F53, ALLOY-20
11	压环 Compression ring	A1025, SS304、SS304L、SS316、SS316L、SS321、ALLOY-20、F51、F53
12	弹簧 Spring	SS304, Inconel, 1566+ENP
13	密封圈 Sealing Ring	Flexible Graphite
14	复合轴承 Bearing	1045+RPTFE、SS304+RPTFE、SS316+RPTFE
15	阀杆 Stem	1045+ENP, A182-F6、F304、F304L、F316、F316L、F321、F51、F53, ALLOY-20, 4140+ENP, 17-4PH
16	弹簧 Spring	SS304, Inconel, 1566+ENP
17	密封圈 Sealing Ring	SS304、SS316+Flexible Graphite Spiral Wound
18	O型圈 O-Ring	NBR、VITON
19	注密封脂阀 Grease Fitting	1025、SS304、SS304L、SS316、SS316L、SS321、ALLOY-20、F51、F53
20	填料箱 Stuffing Box	A105+ENP, A182-F6、F304、F304L、F316、F316L、F321、F51、F53, ALLOY-20
21	填料 Packing	Flexible Graphite
22	连接盘 Connecting Plate	1025、A216-WCB、A351 CF8
23	齿轮 Gear	
24	注密封脂阀 Grease Fitting	1025、SS304、SS304L、SS316、SS316L、SS321、ALLOY-20、F51、F53
25	丝堵和放泄阀 Drain Valve and Plug	1025, SS304, SS316, F51, F53, ALLOY-20